

# T-HANDLE



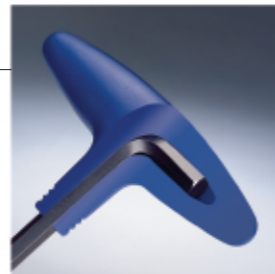
T-HANDLE

72

## T-HANDLE

### Features of Product:

- Handle is shaped for comfort, control and safety.
- Durable material of T-Handle increases leverage while reducing hand fatigue.
- Heavy-duty handle generates a flywheel effect for fast insertion or removal of screws.
- Handle and blade are strongly molded and would not loose or slip.
- Handle sizes are engineered to match blade torque capabilities.
- Tough coating resists damage and cushions grip.



T-handle with L-key increases stability.



T-handle design provides great comfort for users.

## 006 T-HANDLE HEX KEY SET; BLACK OXIDE

MATERIAL: Chrome Vanadium Steel (CR-V)

ITEM NO.	PCS/SET	DESCRIPTION	INNER/CTN (SETS)	N.W. (KGS)	G.W. (KGS)	CUFT.
006-46M0	8 PCS	2-2.5-3-4-5-6-8-10MM	1/6	9.4	10.5	1.84
006-47A0	8 PCS	5/64-3/32-1/8-5/32-3/16-1/4-5/16-3/8"	1/6	9.4	10.5	1.84

## 006 T-HANDLE BALL POINT HEX KEY SET; BLACK OXIDE

MATERIAL: Chrome Vanadium Steel (CR-V)

ITEM NO.	PCS/SET	DESCRIPTION	INNER/CTN (SETS)	N.W. (KGS)	G.W. (KGS)	CUFT.
006-56M0	8 PCS	2-2.5-3-4-5-6-8-10MM	1/6	9.4	10.5	1.84
006-57A0	8 PCS	5/64-3/32-1/8-5/32-3/16-1/4-5/16-3/8"	1/6	9.4	10.5	1.84



- A blow case package is a handy tool box for storage purpose.
- Key sizes are clearly marked on case.
- An empty space inside of a blow case is designed for placing loose screws.

Color Code:  
Metric: **Blue**  
Inch: **Red**

Package:  
**Blow case + Label**

T-HANDLE

73

● **006 T-HANDLE HEX KEY SET; BLACK OXIDE**

MATERIAL: Chrome Vanadium Steel (CR-V)

ITEM NO.	PCS/SET	DESCRIPTION	INNER/CTN (SETS)	N.W. (KGS)	G.W. (KGS)	CUFT.
006-43M0	8 PCS	2-2.5-3-4-5-6-8-10MM	6/24	18.5	20.9	2.32
006-44A0	8 PCS	5/64-3/32-1/8-5/32-3/16-1/4-5/16-3/8"	6/24	18.3	20.7	2.32

● **006 T-HANDLE BALL POINT HEX KEY SET; BLACK OXIDE**

MATERIAL: Chrome Vanadium Steel (CR-V)

ITEM NO.	PCS/SET	DESCRIPTION	INNER/CTN (SETS)	N.W. (KGS)	G.W. (KGS)	CUFT.
006-53M0	8 PCS	2-2.5-3-4-5-6-8-10MM	6/24	18.5	20.9	2.32
006-54A0	8 PCS	5/64-3/32-1/8-5/32-3/16-1/4-5/16-3/8"	6/24	18.3	20.7	2.32

**Features of Products:**

- T-handle is neatly packed in a protective and colored vinyl wallet for easy access and storage.
- Sizes are printed on the vinyl wallet, making it easy to locate L-keys.
- The vinyl wallet with a butterfly hole for easy hanging.
- Handle does not adhere to dirt - good cleanup quality.

Color Code:  
Metric: **Blue**  
Inch: **Red**

Package:  
**Silver pouch w/ a hole**



● **006 T-HANDLE HEX KEY SET; BLACK OXIDE**

MATERIAL: Chrome Vanadium Steel (CR-V)

ITEM NO.	PCS/SET	DESCRIPTION	INNER/CTN (SETS)	N.W. (KGS)	G.W. (KGS)	CUFT.
006-41M0	8 PCS	2-2.5-3-4-5-6-8-10MM	1/12	13.1	15.3	1.68
006-42A0	8 PCS	5/64-3/32-1/8-5/32-3/16-1/4-5/16-3/8"	1/12	12.9	15.1	1.68

● **006 T-HANDLE BALL POINT HEX KEY SET; BLACK OXIDE**

MATERIAL: Chrome Vanadium Steel (CR-V)

ITEM NO.	PCS/SET	DESCRIPTION	INNER/CTN (SETS)	N.W. (KGS)	G.W. (KGS)	CUFT.
006-51M0	8 PCS	2-2.5-3-4-5-6-8-10MM	1/12	13.1	15.3	1.68
006-52A0	8 PCS	5/64-3/32-1/8-5/32-3/16-1/4-5/16-3/8"	1/12	12.9	15.1	1.68

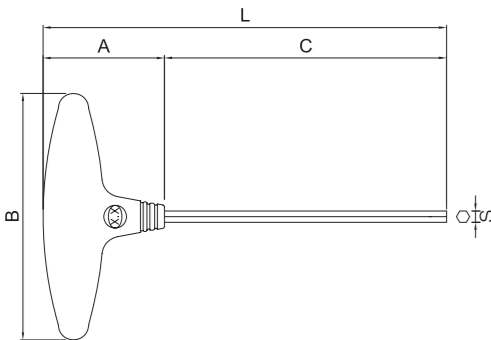
**Features of Products:**

- Storage in a S-type silver metal stand.
- The stand can be hung on the wall or placed on the table for easy use.
- Anti-impact material for plastic handle.
- Attractive color handle is easy recognized at work places.

Color Code:  
Metric: **Blue**  
Inch: **Red**

Package:  
**Metal stand (S-Type) + Label**





037 T-HANDLE HEX KEY; BLACK OXIDE

MATERIAL: Chrome Vanadium Steel (CR-V)

ITEM NO.	SIZE (S)MM	HANDLE (B)MM (A)MM	HEX KEY (C)MM	TOTAL LENGTH (L)MM	g/1PC	INNER/CTN (PCS)	N.W. (KGS)	G.W. (KGS)	CUFT.
037-M020-FB	2.0	86 47	103	150	27	20/240	8.0	8.6	1.40
037-M025-FB	2.5	86 47	103	150	30	20/240	8.7	9.3	1.40
037-M030-FB	3.0	86 47	103	150	33	20/240	9.4	10.1	1.40
037-M040-FB	4.0	105 56	134	190	57	20/240	14.9	16.5	2.17
037-M050-FB	5.0	105 56	134	190	69	20/240	17.8	19.4	2.17
037-M060-FB	6.0	130 64	166	230	118	20/80	9.6	11.1	1.28
037-M080-FB	8.0	130 64	166	230	155	20/80	12.8	14.0	1.28
037-M100-FB	10.0	130 64	166	230	214	20/80	17.5	18.8	1.28

ITEM NO.	SIZE (S)	HANDLE (B)MM (A)MM	HEX KEY (C)MM	TOTAL LENGTH (L)MM	g/1PC	INNER/CTN (PCS)	N.W. (KGS)	G.W. (KGS)	CUFT.
037-0198-FB	5/64"	86 47	103	150	28	20/240	8.2	8.6	1.40
037-0238-FB	3/32"	86 47	103	150	30	20/240	8.7	9.3	1.40
037-0317-FB	1/8"	86 47	103	150	34	20/240	9.6	10.3	1.40
037-0397-FB	5/32"	105 56	134	190	58	20/240	15.2	16.8	2.17
037-0476-FB	3/16"	105 56	134	190	66	20/240	17.1	18.7	2.17
037-0555-FB	7/32"	105 56	134	190	77	20/240	19.7	21.3	2.17
037-0635-FB	1/4"	130 64	166	230	125	20/80	10.2	11.6	1.28
037-0794-FB	5/16"	130 64	166	230	163	20/80	13.2	14.7	1.28
037-0952-FB	3/8"	130 64	166	230	206	20/80	16.7	18.1	1.28

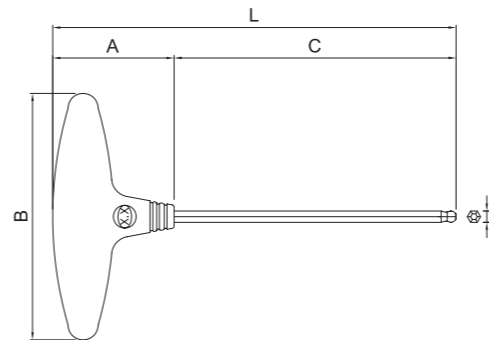
Features of Product:

- T-handle provides easier usage, increased torque, comfort and safety.
- Handle sizes are engineered to match blade torque capabilities.
- Durable material of T-Handle increases leverage while reducing hand fatigue.
- Chamfer tips for fast insertion and full tool engagement in the screw head.

Color Code:  
Metric: **Blue**  
Inch: **Red**

Package:  
**Insert bag w/ a hole**

Insert bag package with a hole for hanging purpose.



038 T-HANDLE BALL POINT HEX KEY; BLACK OXIDE

MATERIAL: Chrome Vanadium Steel (CR-V)

ITEM NO.	SIZE (S)MM	HANDLE (B)MM (A)MM	HEX KEY (C)MM	TOTAL LENGTH (L)MM	g/1PC	INNER/CTN (PCS)	N.W. (KGS)	G.W. (KGS)	CUFT.
038-M020-FB	2.0	86 47	103	150	27	20/240	8.0	8.6	1.40
038-M025-FB	2.5	86 47	103	150	30	20/240	8.7	9.3	1.40
038-M030-FB	3.0	86 47	103	150	33	20/240	9.4	10.1	1.40
038-M040-FB	4.0	105 56	134	190	57	20/240	14.9	16.5	2.17
038-M050-FB	5.0	105 56	134	190	69	20/240	17.8	19.4	2.17
038-M060-FB	6.0	130 64	166	230	118	20/80	9.6	11.1	1.28
038-M080-FB	8.0	130 64	166	230	155	20/80	12.8	14.0	1.28
038-M100-FB	10.0	130 64	166	230	214	20/80	17.5	18.8	1.28

ITEM NO.	SIZE (S)	HANDLE (B)MM (A)MM	HEX KEY (C)MM	TOTAL LENGTH (L)MM	g/1PC	INNER/CTN (PCS)	N.W. (KGS)	G.W. (KGS)	CUFT.
038-0198-FB	5/64"	86 47	103	150	28	20/240	8.2	8.6	1.40
038-0238-FB	3/32"	86 47	103	150	30	20/240	8.7	9.3	1.40
038-0317-FB	1/8"	86 47	103	150	34	20/240	9.6	10.3	1.40
038-0397-FB	5/32"	105 56	134	190	58	20/240	15.2	16.8	2.17
038-0476-FB	3/16"	105 56	134	190	66	20/240	17.1	18.7	2.17
038-0555-FB	7/32"	105 56	134	190	77	20/240	19.7	21.3	2.17
038-0635-FB	1/4"	130 64	166	230	125	20/80	10.2	11.6	1.28
038-0794-FB	5/16"	130 64	166	230	163	20/80	13.2	14.7	1.28
038-0952-FB	3/8"	130 64	166	230	206	20/80	16.7	18.1	1.28



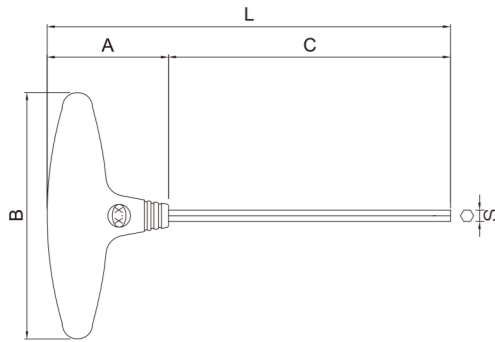
Angle entry to 25° for easy access:  
a. work in hard to reach areas.  
b. faster insertion and removal.  
c. work efficiently, even near obstructions.

Insert bag package with a hole for hanging purpose.

Color Code:  
Metric: **Blue**  
Inch: **Red**

Package:  
**Insert bag w/ a hole**





### 037 T-HANDLE HEX KEY; BLACK OXIDE

MATERIAL: Chrome Vanadium Steel (CR-V)

ITEM NO.	SIZE (S)MM	HANDLE (B)MM (A)MM	HEX KEY (C)MM	TOTAL LENGTH (L)MM	g/1PC	INNER/CTN (PCS)	N.W. (KGS)	G.W. (KGS)	CUFT.
037-M020-FB	2.0	86 47	103	150	27	20/240	8.0	-	-
037-M025-FB	2.5	86 47	103	150	30	20/240	8.7	-	-
037-M030-FB	3.0	86 47	103	150	33	20/240	9.4	-	-
037-M040-FB	4.0	105 56	134	190	57	20/240	14.9	-	-
037-M050-FB	5.0	105 56	134	190	69	20/240	17.8	-	-
037-M060-FB	6.0	130 64	166	230	118	20/80	9.6	-	-
037-M080-FB	8.0	130 64	166	230	155	20/80	12.8	-	-
037-M100-FB	10.0	130 64	166	230	214	20/80	17.5	-	-

ITEM NO.	SIZE (S)	HANDLE (B)MM (A)MM	HEX KEY (C)MM	TOTAL LENGTH (L)MM	g/1PC	INNER/CTN (PCS)	N.W. (KGS)	G.W. (KGS)	CUFT.
037-0198-FB	5/64"	86 47	103	150	28	20/240	8.2	-	-
037-0238-FB	3/32"	86 47	103	150	30	20/240	8.7	-	-
037-0317-FB	1/8"	86 47	103	150	34	20/240	9.6	-	-
037-0397-FB	5/32"	105 56	134	190	58	20/240	15.2	-	-
037-0476-FB	3/16"	105 56	134	190	66	20/240	17.1	-	-
037-0555-FB	7/32"	105 56	134	190	77	20/240	19.7	-	-
037-0635-FB	1/4"	130 64	166	230	125	20/80	10.2	-	-
037-0794-FB	5/16"	130 64	166	230	163	20/80	13.2	-	-
037-0952-FB	3/8"	130 64	166	230	206	20/80	16.7	-	-

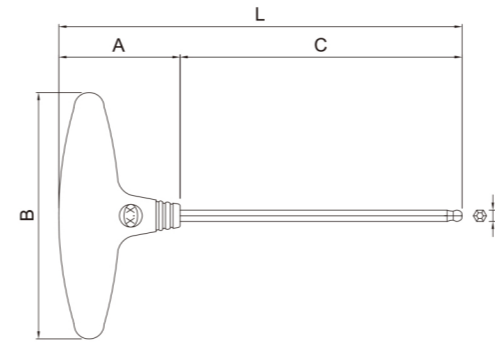
#### Features of Product:

- T-handle provides easier usage, increased torque, comfort and safety.
- Handle sizes are engineered to match blade torque capabilities.
- Durable material of T-Handle increases leverage while reducing hand fatigue.
- Chamfer tips for fast insertion and full tool engagement in the screw head.

Color Code:  
Metric: **Blue**  
Inch: **Red**

Package:  
**Tagged + Label**

360°- twisting tagged allow you to try product before purchasing.



### 038 T-HANDLE BALL POINT HEX KEY; BLACK OXIDE

MATERIAL: Chrome Vanadium Steel (CR-V)

ITEM NO.	SIZE (S)MM	HANDLE (B)MM (A)MM	HEX KEY (C)MM	TOTAL LENGTH (L)MM	g/1PC	INNER/CTN (PCS)	N.W. (KGS)	G.W. (KGS)	CUFT.
038-M020-FB	2.0	86 47	103	150	27	20/240	8.0	-	-
038-M025-FB	2.5	86 47	103	150	30	20/240	8.7	-	-
038-M030-FB	3.0	86 47	103	150	33	20/240	9.4	-	-
038-M040-FB	4.0	105 56	134	190	57	20/240	14.9	-	-
038-M050-FB	5.0	105 56	134	190	69	20/240	17.8	-	-
038-M060-FB	6.0	130 64	166	230	118	20/80	9.6	-	-
038-M080-FB	8.0	130 64	166	230	155	20/80	12.8	-	-
038-M100-FB	10.0	130 64	166	230	214	20/80	17.5	-	-

ITEM NO.	SIZE (S)	HANDLE (B)MM (A)MM	HEX KEY (C)MM	TOTAL LENGTH (L)MM	g/1PC	INNER/CTN (PCS)	N.W. (KGS)	G.W. (KGS)	CUFT.
038-0198-FB	5/64"	86 47	103	150	28	20/240	8.2	-	-
038-0238-FB	3/32"	86 47	103	150	30	20/240	8.7	-	-
038-0317-FB	1/8"	86 47	103	150	34	20/240	9.6	-	-
038-0397-FB	5/32"	105 56	134	190	58	20/240	15.2	-	-
038-0476-FB	3/16"	105 56	134	190	66	20/240	17.1	-	-
038-0555-FB	7/32"	105 56	134	190	77	20/240	19.7	-	-
038-0635-FB	1/4"	130 64	166	230	125	20/80	10.2	-	-
038-0794-FB	5/16"	130 64	166	230	163	20/80	13.2	-	-
038-0952-FB	3/8"	130 64	166	230	206	20/80	16.7	-	-



Angle entry to 25° for easy access:  
a. work in hard to reach areas.  
b. faster insertion and removal.  
c. work efficiently, even near obstructions.

Color Code:  
Metric: **Blue**  
Inch: **Red**

Package:  
**Tagged + Label**

360°- twisting tagged allow you to try product before purchasing.

